

## EMT - NEMA 56C Motors

### YSN Series, 3 Phase

### YCYN Series, 1 Phase



- ✓ Rolled Steel frame with Cast Alloy endshields.
- ✓ B56 feet and with NEMA 56C face flange.
- ✓ TEFC, IP55 enclosure.
- ✓ Class "F" insulation.
- ✓ Shaft Dia = 5/8"
- ✓ Nema Face Flange dimensions:  
Dimension N = 114.3mm  
PCD = 149.2mm

#### Available Ratings

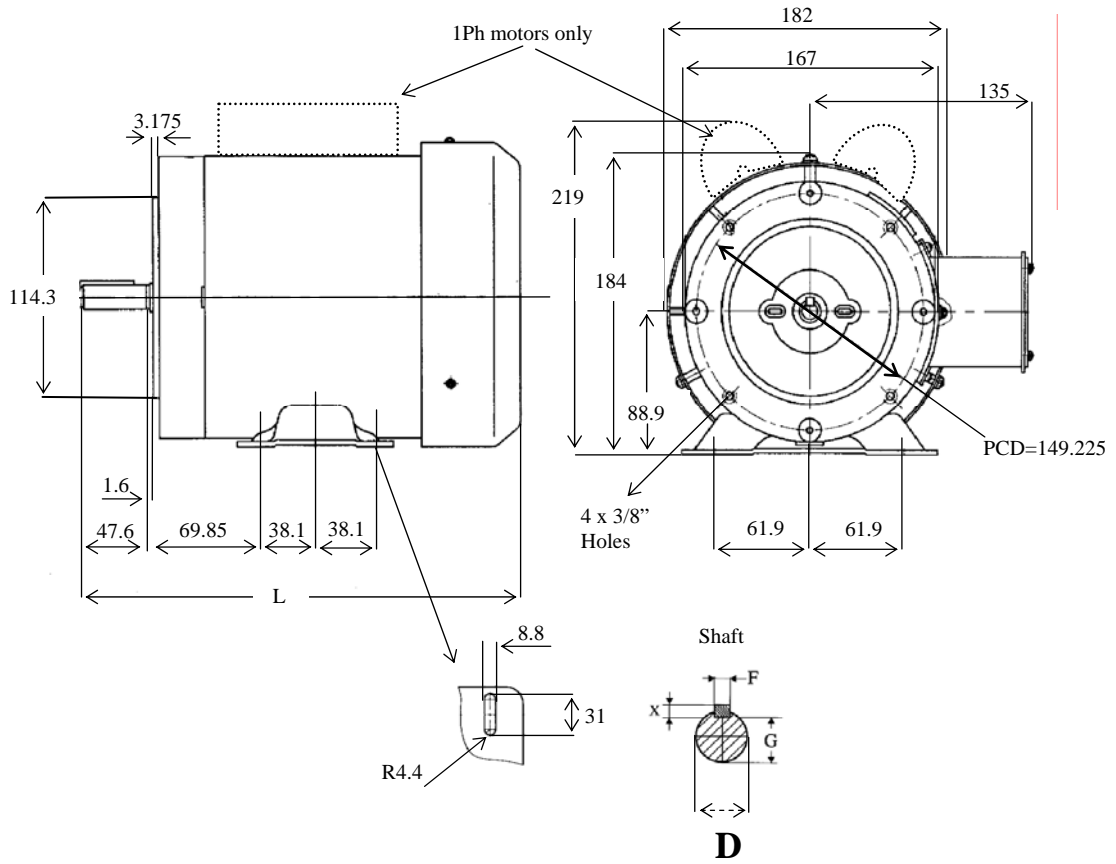
<b>Single Phase</b>	
<b>240V 50Hz</b>	
Cap start / Cap run	
TYPE	Rating - KW
<b>2 Pole ( 2850 Rpm )</b>	
YCYN56 2D-1C	0.75
YCYN5662D-1C	1.1

<b>Three Phase</b>	
<b>415V 50Hz</b>	
TYPE	Rating - KW
<b>2 Pole ( 2850 Rpm )</b>	
YSN5632G-1B	0.75
YSN5642G-1B	1.1

<b>4 Pole (1420 RPM)</b>	
TYPE	Rating - KW
YCYN5664D-1C	0.75
YCYN56 4D-1C	1.1
YCYN5694D-1C	1.5

<b>4 Pole (1420 RPM)</b>	
TYPE	Rating - KW
YSN5644G-1B	0.75
YSN5654G-1B	1.1
YSN56 4G-1B	1.5

**EMT – Nema 56C**  
Dimension Print



Phase	Type	KW	Pole	L	D	G	F	X
1	YCYN	0.75	2	317	15.875	13.09	4.762	4.762
		1.1	2					
		0.75	4	305				
		1.1	4	342				
		1.5	4					

3	YSN	0.75	2	278	15.875	13.09	4.762	4.762
		1.1	2					
		0.75	4	290				
		1.1	4					
		1.5	4					

All dimensions are in mm & subject to change without notice.

**EMT Pty Limited**  
ABN 40 060 616 220

Phone: 1300 139 181  
Fax: (02) 9838 8421

[sales@emtmotor.com.au](mailto:sales@emtmotor.com.au)  
[www.emtmotor.com.au](http://www.emtmotor.com.au)

*Authorised Distributor:*